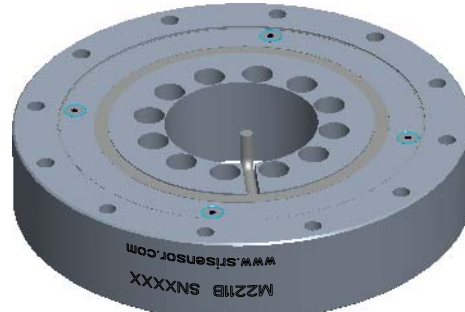


NOTE: THE OVERLOAD CAPACITIES FOR BENDING MOMENT, AXIAL AND RADIAL FORCE EXCEED 300% OF THOSE USED FOR CROSSTALK MEASUREMENT

DRAWING IN THIRD ANGLE PROJECTION

SPECIFICATIONS	
CAPACITY (Nm)	250
OVERLOAD CAPACITY (%F.S.)	300
OUTPUT @ F.S. (V) NOMINAL	2.5±2 *
POWER SUPPLY (V)	4.5-5V, 25MA
BRIDGE RESISTANCE (Ω) NOMINAL	350
NON-LINEARITY (%F.S.)	0.5
HYSTERESIS (%F.S.)	1.0
OPERATING TEMP. RANGE (°C)	-20 TO +100
CROSSTALK (%F.S.)	2.0
AXIAL FORCE FOR CROSSTALK (N)	2000
RADIAL FORCE FOR CROSSTALK (N)	2000
BENDING MOMENT FOR CROSSTALK (Nm)	250
TORSION ANGLE (CALCULATED)	0.04°
TORSIONAL STIFFNESS (KNm/RAD)	600
BENDING STIFFNESS (KNm/RAD)	400
MASS (KG)	0.39



ATTENTION: RED WIRE MUST BE CONNECTED TO POSITIVE SUPPLY VOLTAGE AND BLACK TO GROUND. OTHERWISE CIRCUIT MAY GET DAMAGED!

\* WHEN POWER SUPPLY IS 4.5V, OUTPUT WILL BE 2.25±1.75V

WIRING CODE	
COLOR	FUNCTION
RED	+EX
GREEN	+SIG
BLACK	GND
BROWN	-SIG

**SUNRISE INSTRUMENTS**  
www.srisensor.com

SINGLE AXIS TORQUE LOADCELL  
D110MM, 250 Nm, HIGH BENDING STIFFNESS

UNLESS OTHERWISE SPECIFIED DIMENSIONS ARE IN MM	M2211B	REV. 0.2
--	--------	-------------